

Electromagnetic Spectrum (EMS)

EMS access is a prerequisite for modern military operations. The Department of Defense's (DoD) growing requirements to gather, analyze, and share information rapidly; to control an increasing number of automated Intelligence, Surveillance, and Reconnaissance (ISR) assets; to command geographically dispersed and mobile forces to gain access into denied areas; and to "train as we fight" requires that DoD maintain sufficient spectrum access.

Additionally, we are facing new sophisticated challenges in the EMS due to the explosive growth of spectrum dependent systems (SDS) and consumer demand for spectrum, the global proliferation of highly innovative electronics technology, and the development of advanced cyber capabilities.



CTT Case Outline Drawings

AB Series

MODEL	DIM A	DIM B
AB2	1.270	1.130
AB3	1.525	1.385
AB4	1.780	1.640
AB5	2.035	1.895
AB6	2.290	2.150
AB7	2.545	2.405

NOTES:
 1. ALL DIMENSIONS ARE IN INCHES.
 2. CTT DRAWING 105018879.

FX/FC/FS Series

NOTES:
 1. ALL DIMENSIONS ARE IN INCHES.
 2. CTT DRAWING 105007879.
 3. REMOVABLE BASEPLATE IS ALSO AVAILABLE IN .19 THICKNESS (CTT DRAWING 105007880).

CTT Case Outline Drawings (continued)

GDK Series

Top view dimensions: 1.85, 1.61, .98, .50, .26

Side view dimensions: .26 ±.03, .20 ±.03, A, .38 TYP, 1.96, D/C, SMA FEMALE CONNECTOR TYP

Front view dimensions: 1.720, .12, B, C

NO. 4-40UNC-2B X .17 DEEP 4 HOLES

MODEL	DIM A	DIM B	DIM C
GDK8	2.361	2.105	.13
GDK10	2.755	2.505	.13
GDK12	3.149	2.905	.12
GDK14	3.543	3.305	.12

NOTES:
1. ALL DIMENSIONS ARE IN INCHES.
2. CTT DRAWING 105008443



GK Series

Top view dimensions: .10, B, .550, .10

Side view dimensions: .18, 2.9mm OR K FEMALE CONNECTOR TYP, A, .24

Front view dimensions: 26 ±.03, .75, VDC, GND TERMINAL, .20 ±.03, C, .32, .38, .17

NO. 2-56UNC-2B X .09 MIN DEEP 4 HOLES

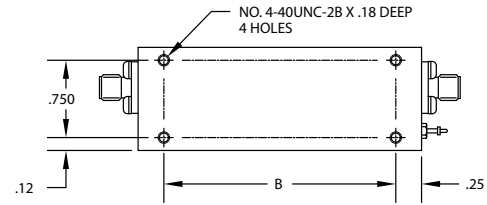
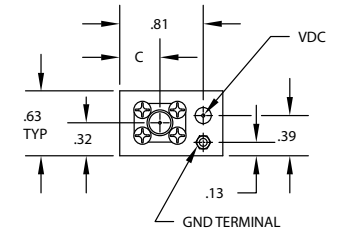
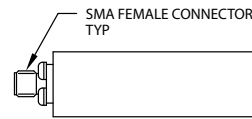
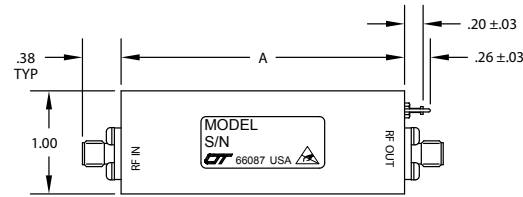
MODEL	DIM A	DIM B	DIM C
GK2	.36	.710	.91
GK3	.55	.910	1.11
GK4	.55	1.110	1.31
GK5	.95	1.300	1.51
GK6	.95	1.500	1.70
GK7	1.15	1.700	1.90
GK8	1.15	1.900	2.10
GK9	1.35	2.095	2.30
GK10	1.35	2.290	2.49
GK11	1.35	2.495	2.69

NOTES:
1. ALL DIMENSIONS ARE IN INCHES.
2. CTT DRAWING 105006203.



CTT Case Outline Drawings (continued)

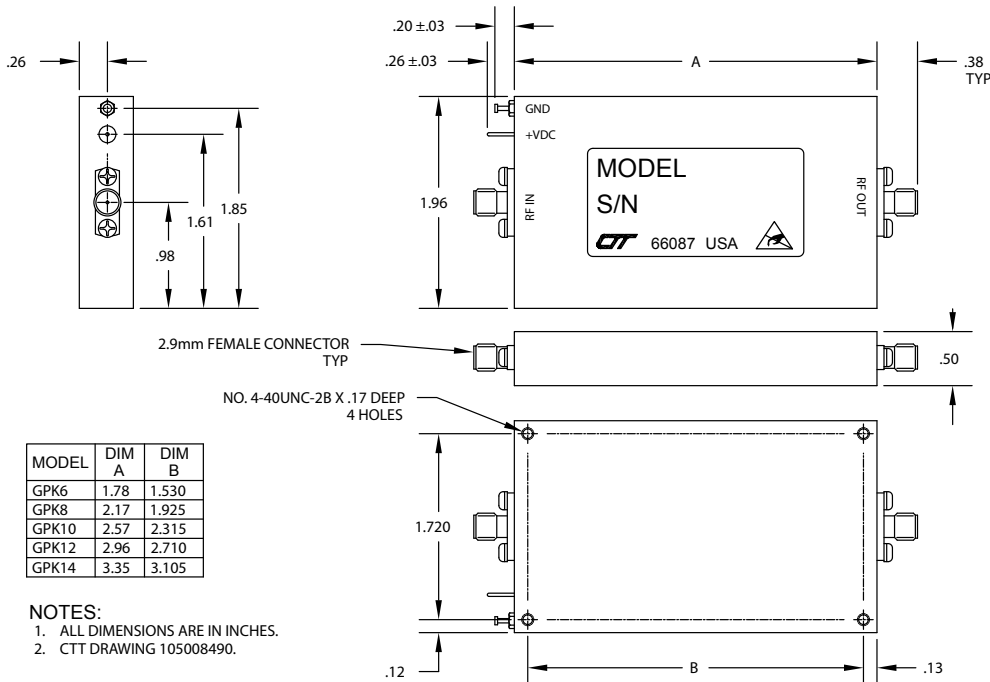
H Series



NOTES:
1. ALL DIMENSIONS ARE IN INCHES.
2. CTT DRAWING 105000586.

MODEL	DIM A	DIM B	DIM C
HS2	1.42	.915	.300
HS4	2.08	1.580	.300
HS6	2.75	2.250	.300
HS8	3.42	2.920	.300
HS10	4.09	3.590	.300
HC2	1.42	.915	.390
HC4	2.08	1.580	.390
HC6	2.75	2.250	.390
HC8	3.42	2.920	.390
HC10	4.09	3.590	.390
HX2	1.25	.750	.435
HX4	1.75	1.250	.435
HX6	2.25	1.750	.435
HX7	2.50	2.000	.435
HX8	2.75	2.250	.435
HX10	3.25	2.750	.435
HX12	3.75	3.250	.435

GPK Series

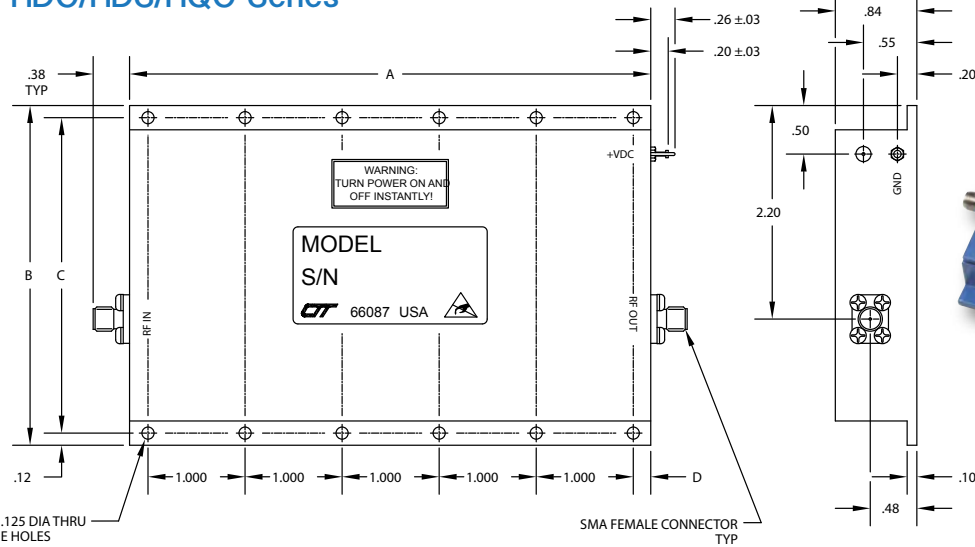


MODEL	DIM A	DIM B
GPK6	1.78	1.530
GPK8	2.17	1.925
GPK10	2.57	2.315
GPK12	2.96	2.710
GPK14	3.35	3.105

NOTES:
1. ALL DIMENSIONS ARE IN INCHES.
2. CTT DRAWING 105008490.

CTT Case Outline Drawings (continued)

HDC/HDS/HQC Series



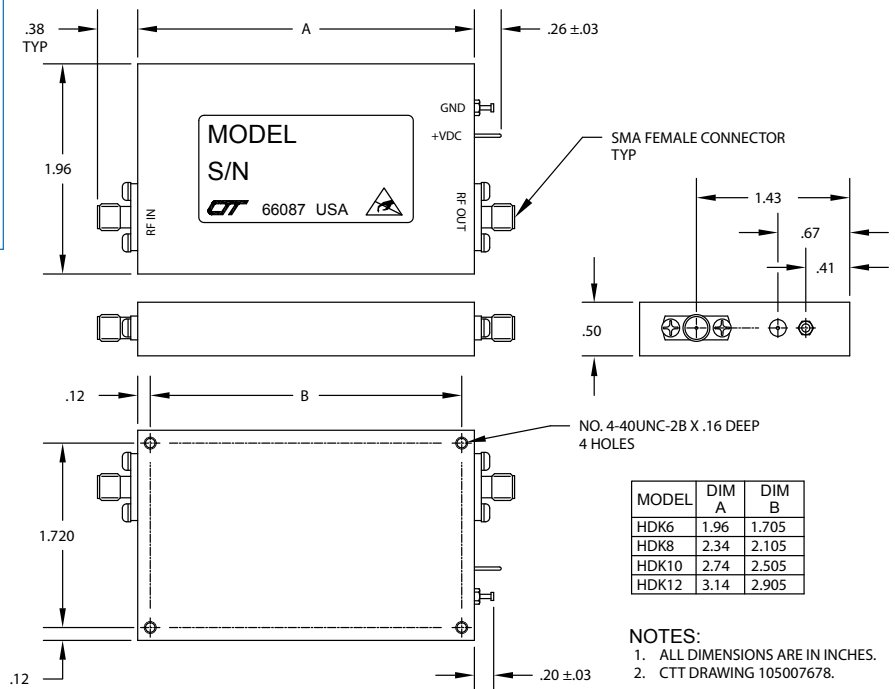
MODEL	DIM A	DIM B	DIM C	DIM D	DIM E
HDC8	3.37	3.50	3.250	.19	8
HDC10	4.04	3.50	3.250	.52	8
HDC12	4.71	3.50	3.250	.35	10
HDC14	5.38	3.50	3.250	.19	12

MODEL	DIM A	DIM B	DIM C	DIM D	DIM E
HDS8	3.37	3.50	3.250	.19	8
HDS10	4.04	3.50	3.250	.52	8
HDS12	4.71	3.50	3.250	.35	10
HDS14	5.37	3.50	3.250	.18	12

MODEL	DIM A	DIM B	DIM C	DIM D	DIM E
HQC10	4.68	4.00	3.750	.34	10
HQC12	5.35	4.00	3.750	.18	12
HQC14	6.02	4.00	3.750	.51	12

- NOTES:
 1. ALL DIMENSIONS ARE IN INCHES.
 2. CTT DRAWING 105007580 (HDC/HQC), 105014234 (HDS).

HDK Series



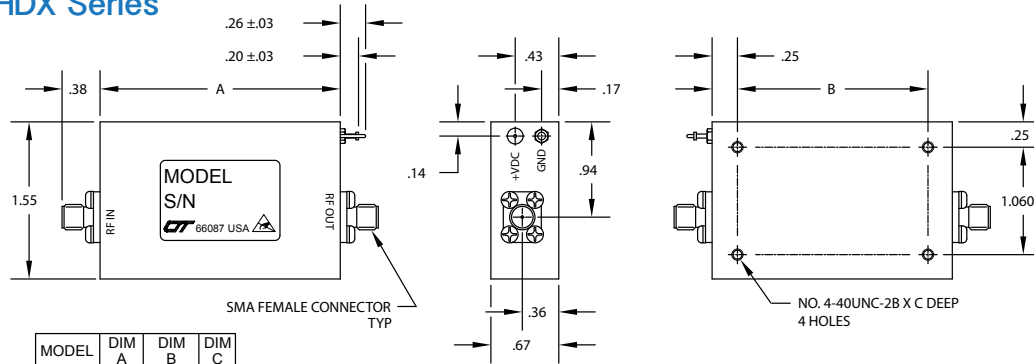
MODEL	DIM A	DIM B
HDK6	1.96	1.705
HDK8	2.34	2.105
HDK10	2.74	2.505
HDK12	3.14	2.905

- NOTES:
 1. ALL DIMENSIONS ARE IN INCHES.
 2. CTT DRAWING 105007678.



CTT Case Outline Drawings (continued)

HDX Series

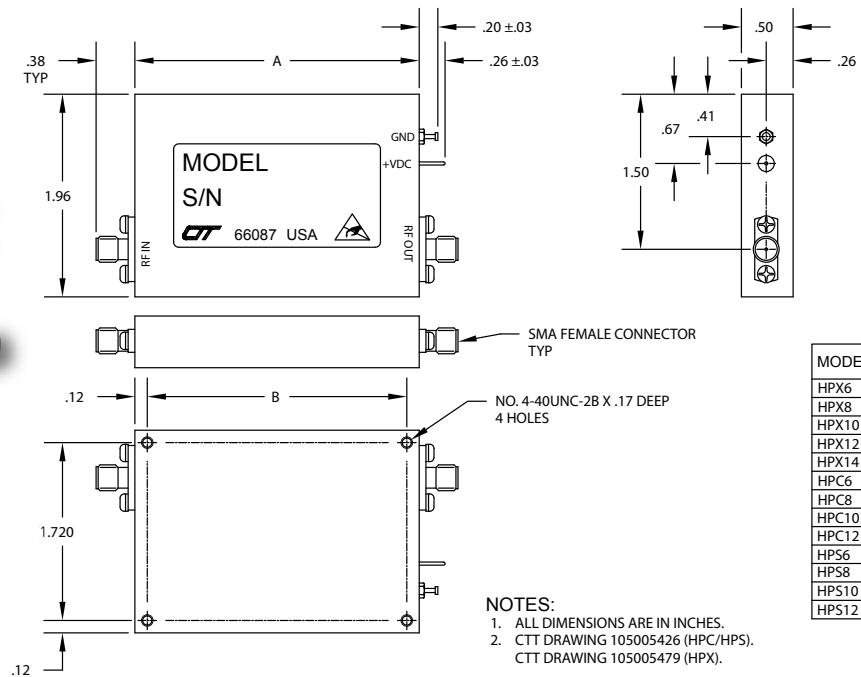


MODEL	DIM A	DIM B	DIM C
HDX6	2.37	1.880	.10
HDX8	2.88	2.390	.15
HDX10	3.39	2.900	.15
HDX12	3.90	3.410	.15

- NOTES:
 1. ALL DIMENSIONS ARE IN INCHES.
 2. CTT DRAWING 105007440



HP Series

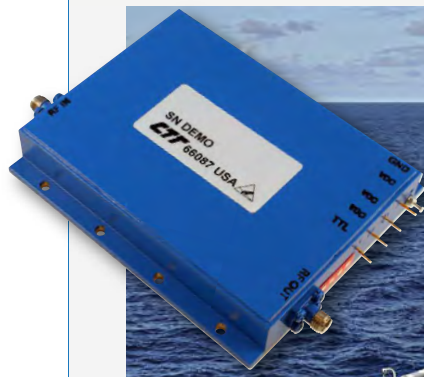
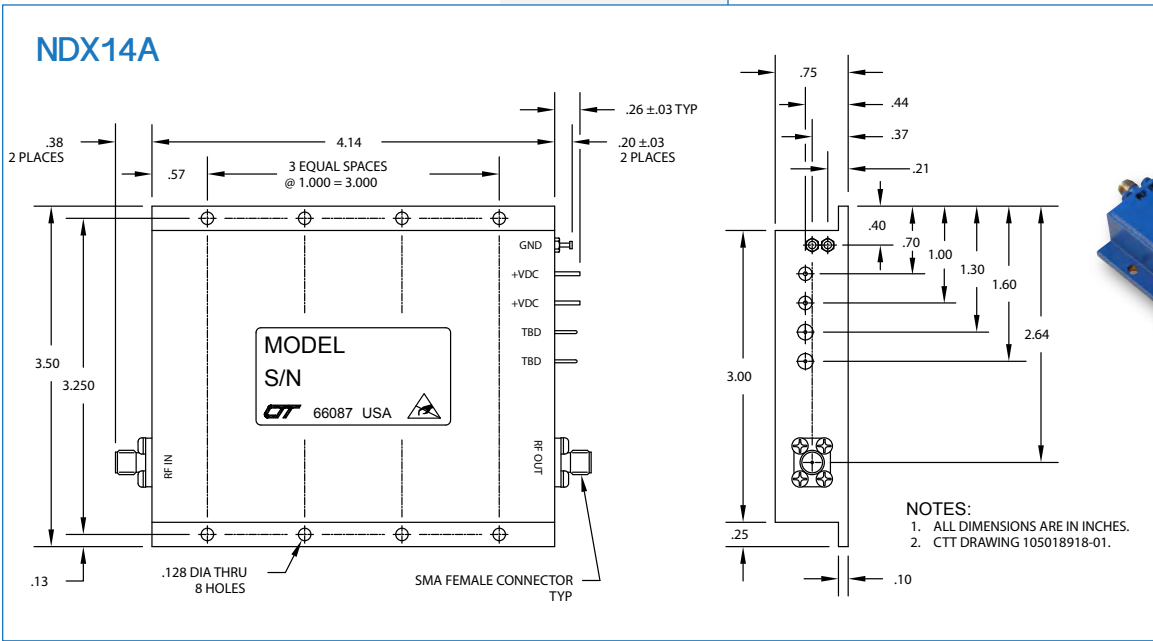
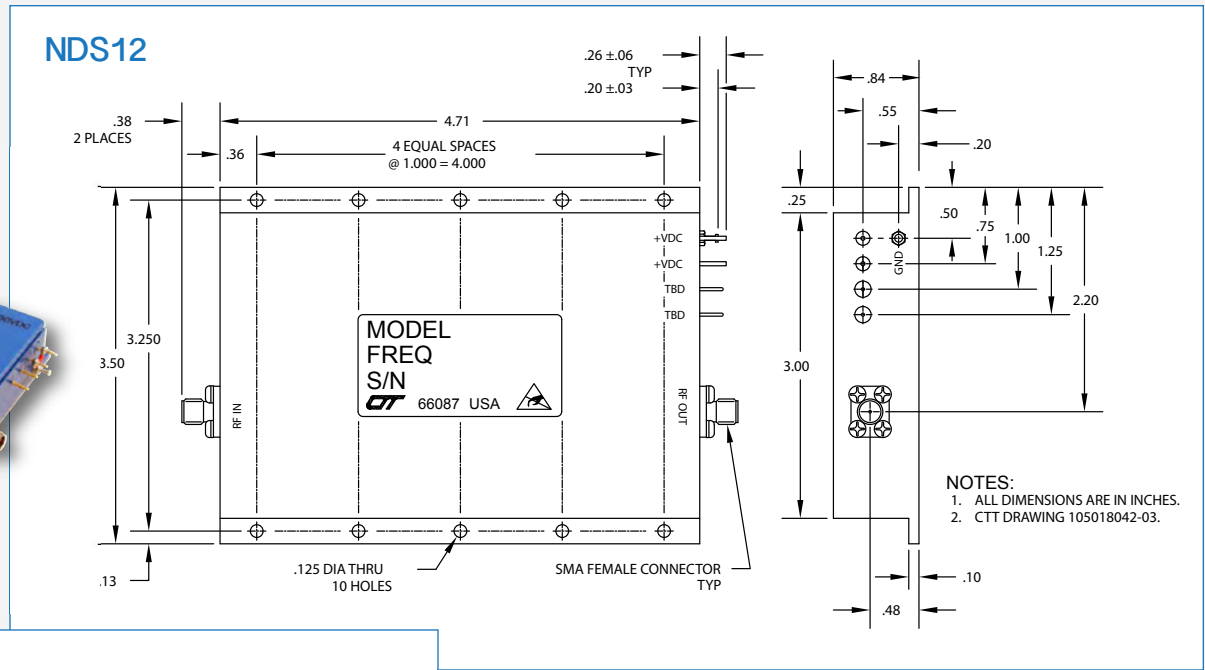


MODEL	DIM A	DIM B	DIM C
HPX6	2.24	2.000	1.45
HPX8	2.75	2.510	1.45
HPX10	3.26	3.020	1.45
HPX12	3.77	3.530	1.45
HPX14	4.28	4.040	1.45
HPC6	2.75	2.510	1.50
HPC8	3.42	3.180	1.50
HPC10	4.09	3.850	1.50
HPC12	4.76	4.520	1.50
HPS6	2.75	2.510	1.59
HPS8	3.42	3.180	1.59
HPS10	4.09	3.850	1.59
HPS12	4.76	4.520	1.59

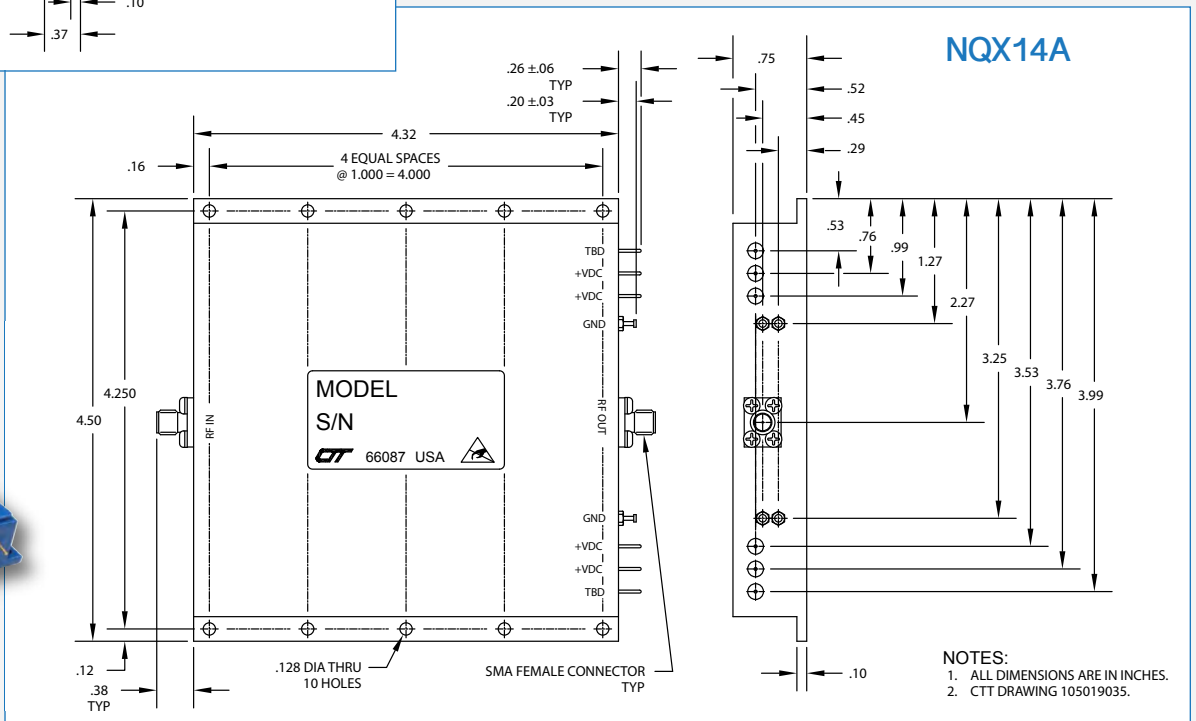
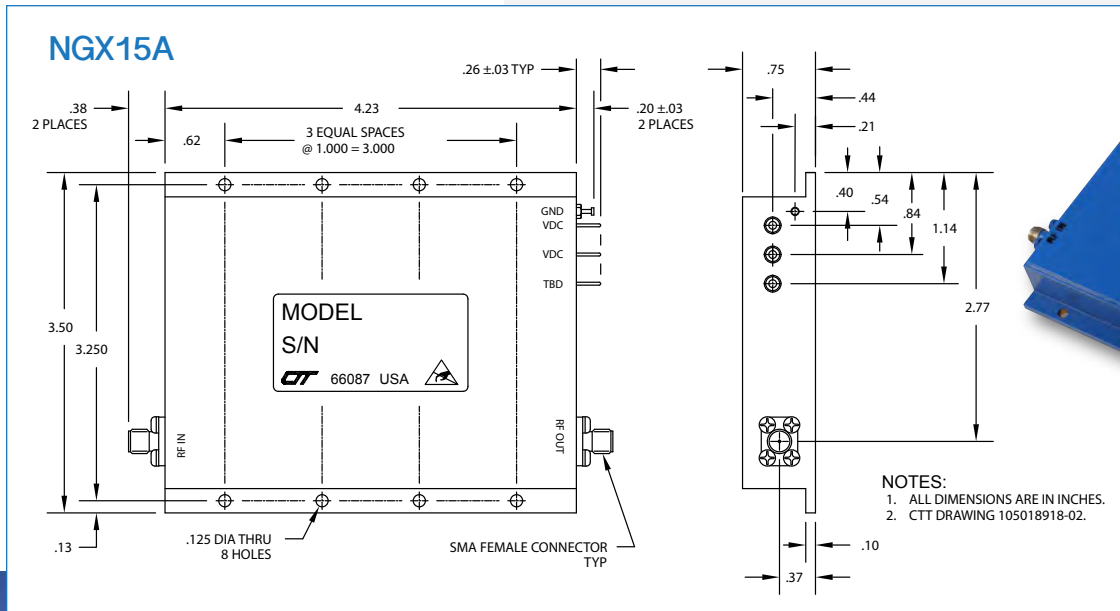
- NOTES:
 1. ALL DIMENSIONS ARE IN INCHES.
 2. CTT DRAWING 105005426 (HPC/HPS).
 CTT DRAWING 105005479 (HPX).



CTT Case Outline Drawings (continued)



CTT Case Outline Drawings (continued)





CTT Case Outline Drawings (continued)

