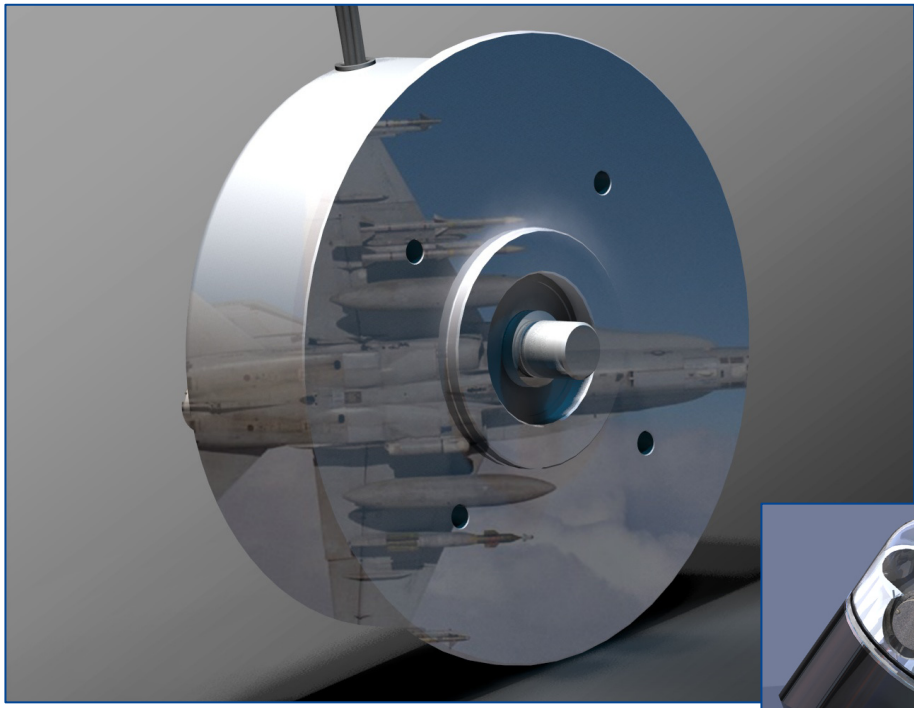




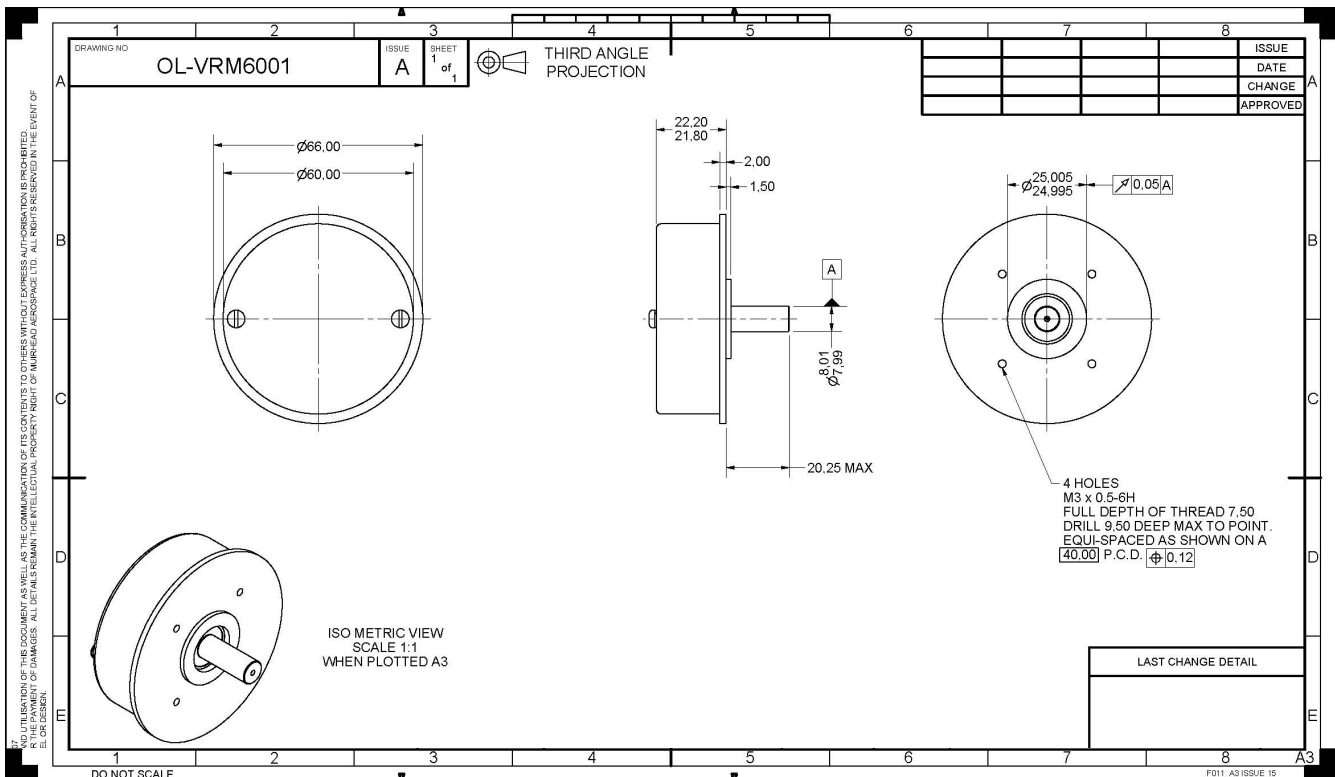
Optical Encoder

VRM6001 Specification

Encoder Type				Absolute, single turn	
Resolution				17 – 21 bit	
Accuracy				16 – 19 bit	
Angle				360 Degrees	
Operating Speed				120 rpm	
Output interface				RS422	
Output code				Gray or binary	
Output protocol				Serial BiSS or SSI	
Encoder working temperature	Continuous	-40°C to 80°C	- 40 to +176°F		
	10% of life	-55°C to 125°C	- 67 to +257°F		
Degree of Protection				IP64	
Operating Voltage				5Vdc ± 5%	
Diameter		60mm	2.36 in		
Length Retracted		22mm	0.86 in		



Optical Encoder



AMETEK[®]
MUIRHEAD AEROSPACE
www.muirheadaerospace.com

A business unit of AMETEK AEROSPACE & DEFENSE

Muirhead Aerospace
 Oakfield Road Penge
 London SE20 8EW – UK
 Tel : +44 (0) 20 8659 9090
 Fax : +44 (0) 20 8659 9906
 Email : muirheadaerospace.sales@ametek.co.uk